



YLI ELECTRONIC



# High Security Motor Driven Electric Lock

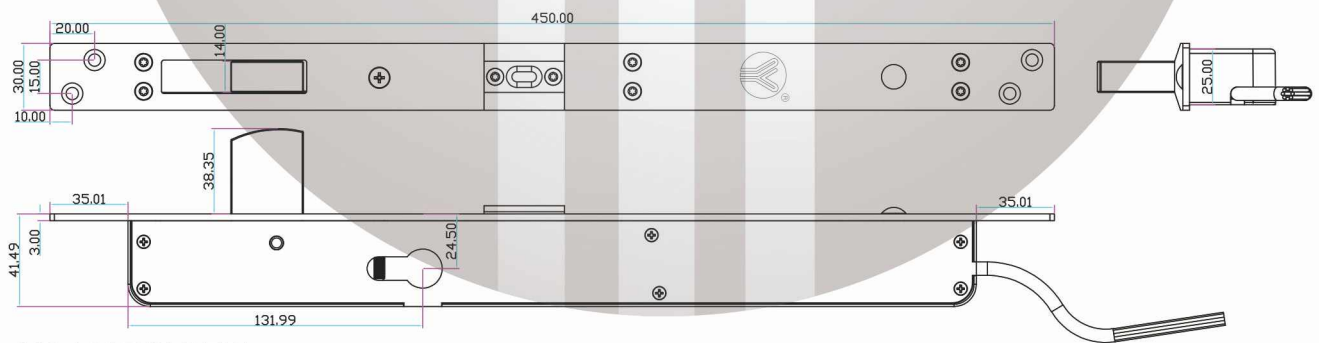
## Specifications

Model	YB-1200MD(LED)	YB-1210MD(LED)
Dimensions	450Lx30Wx41.5H(mm)	
Voltage	12~24VDC	
Current	≤800mA	
Signal Output	Door Sensor NO/COM, Lock Sensor NC/NO/COM	
LED Indicator	Red Shows Locked, Green Shows Unlocked	
Holding Force	2000kg	
Waterproof Rate	Ip65	
Operating Temperature	-20℃~+60℃	
Operating Humidity	0~95%	
Time	0,3,6,9sec	
Maximum Induction Distance	8mm	
Weight	2.0kg	

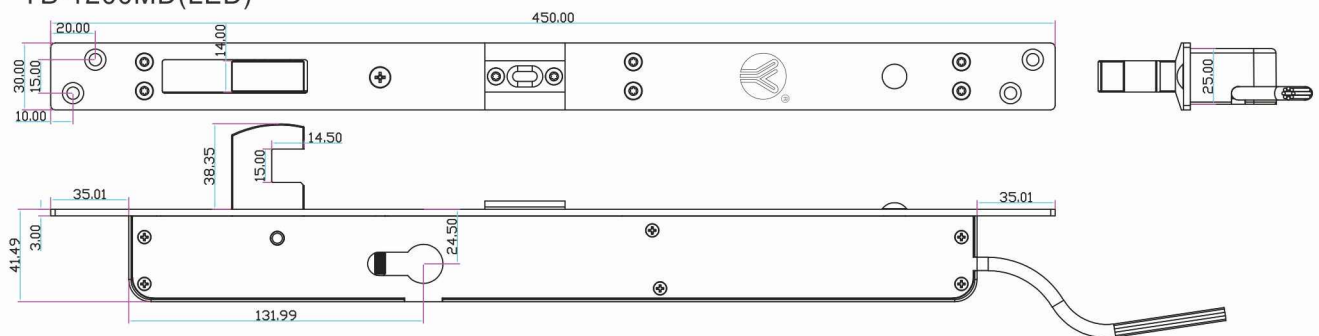
## Features

- 1. Equipped with lock cylinder, which can realize the dual purpose of electric control in daily use and manual control in emergency
- 2. The square bolt is made of solid thickened material, made by CNC lathe, with pry proof design, can withstand 2000KG impact force
- 3. Powerful motor drive
- 4. Door/Lock sensor output
- 5. Waterproof rate IP-65, can be installed both indoors and outdoors

## Dimension



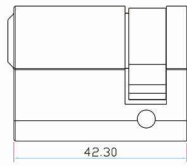
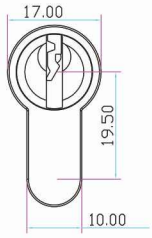
YB-1200MD(LED)



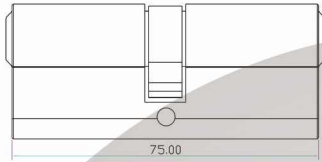
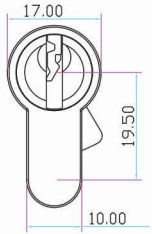
YB-1210MD(LED)

## Optional Accessory

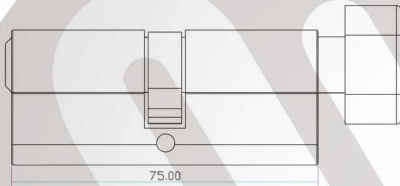
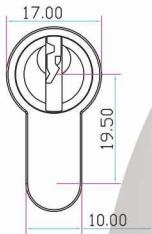
Single side cylinder or both side cylinder, other sizes are available too: 80/90/100/110/120mm.



Single side cylinder

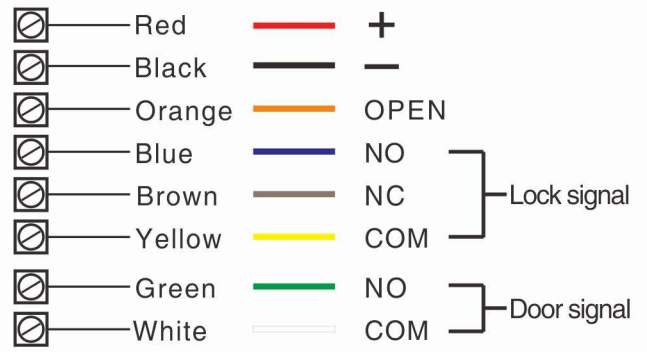


Double side cylinder



One side with cylinder the other side with thumbturn(factory default)

## Wiring Diagram

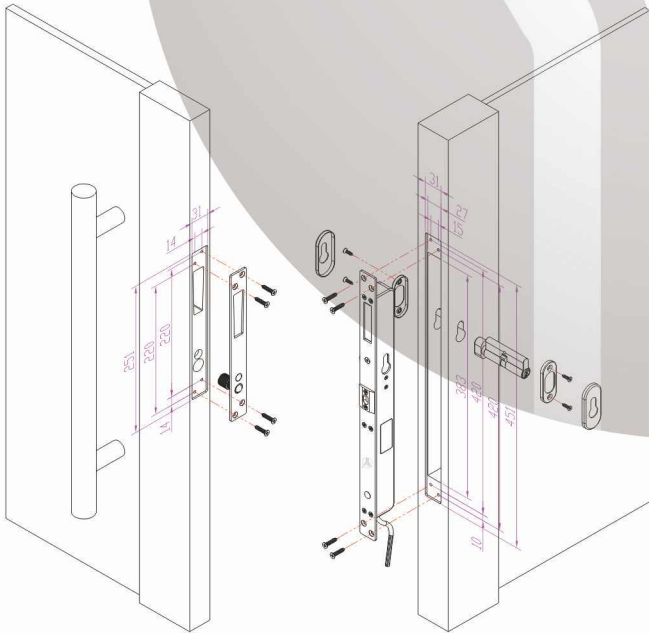


## Time Delay

Setting of re-locking time delay



## Dimension Drawing



## Installation Diagram

