

Over Door Light HTM6032v2

Modes.

The HTM6032 Over door light (ODL) has three operational modes.

ID mode. The light will learn up to 10 individual call point House Code and Identities (HC/ID)

HC (group) mode. The light will learn up to ten HC's and respond to any ID within the learned HC.

Linked mode. The light will learn two HC's so ID's can be linked e.g. HC010 ID123 will be linked to HC011 ID123.

Select the required mode using the mode select links (see below). Up to forty matched ID's can be learned on each HC.

Sounder

The HTM6032 has a built in sounder.

Select the sounder On/Off using the sounder link (see below).

Installing and programming

Power up the ODL,

- The ODL will flash Mauve to Blue.

Press and hold the program button for 7 seconds

- The ODL will light Red (indicating it is ready for the first code).

Activate the room unit,

- The ODL will flash Purple and give a two tone acknowledgement (if sounder link is on)

Test the unit activates with the programmed room unit.

Programming additional numbers

Press the program button once,

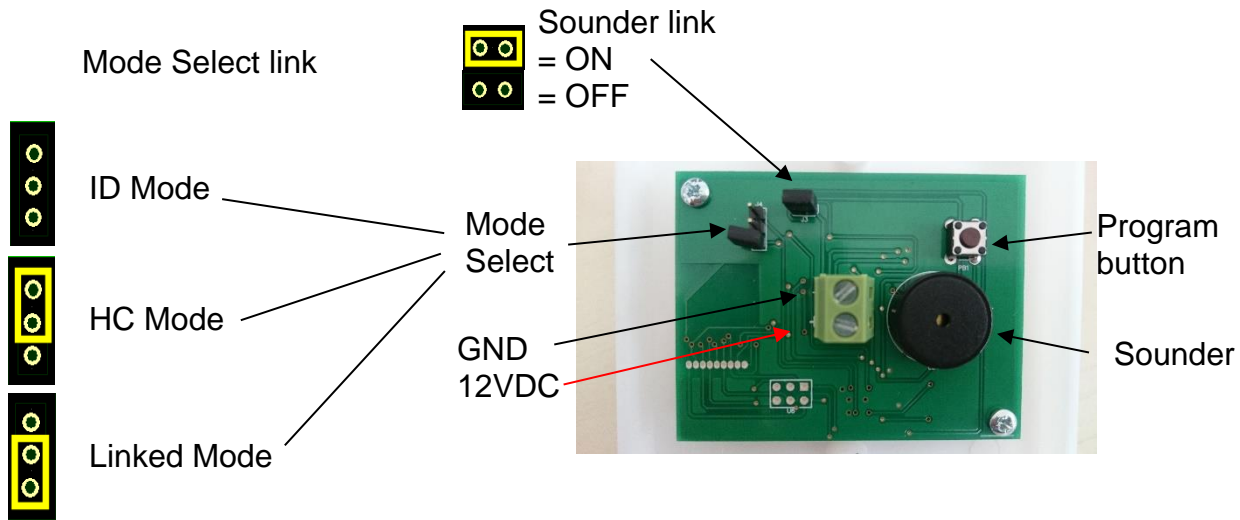
- The ODL lights Blue (indicating it is ready for another code).

Activate the room unit,

- The ODL will flash Purple and give a two tone acknowledgement (if sounder link is on)

Test the unit activates with the programmed room unit.

Note: *the light will learn the first code it receives after you release the programming button so make sure that other units aren't transmitting. To delete the codes already learnt press the programming button for 6 seconds and release. Press the reset button on the new device.*



Power supply and cabling requirement

- per light : 12VDC, 90mAH
- Cable should be installed in a loop (Ring Circuit). Allowance should be made in cable length for voltage drop and cable resistance.
- Maximum of 40 lights per 5Amp PSU.
- Wiring to be 0.75mm 2 core white flexible cable (stranded conductors).
- Please note the connectors are designed to accept two cables at 0.75mm each. **THREE CABLES WONT FIT**
- Use suitable back box for site application i.e. surface patress/dryline box, **NO metal back box's to be used.**
- PSU's to be located in accessible and serviceable locations. Mains to be supplied and connected by electrical contractors.

