



**ASSEMBLY INSTRUCTION**  
**ENGLISH**  
**v1.0**

Code: **AW0528S / AW0528WS**  
Name: **AW0528S – Enclosure DVR/MINI/ VERTICAL**  
**AW0528WS – Enclosure DVR/MINI/VERTICAL WHITE**

**IM528**



Edition: 1 from 14.06.2022  
Supersedes edition: -----

**EN**

**1. Application:**

**Enclosure protects recorder against unauthorized access or theft (two keys included). Made of 1,2 mm steel plate. Set includes one key (different code), two keys included and tamper switch unwanted enclosure opening.**

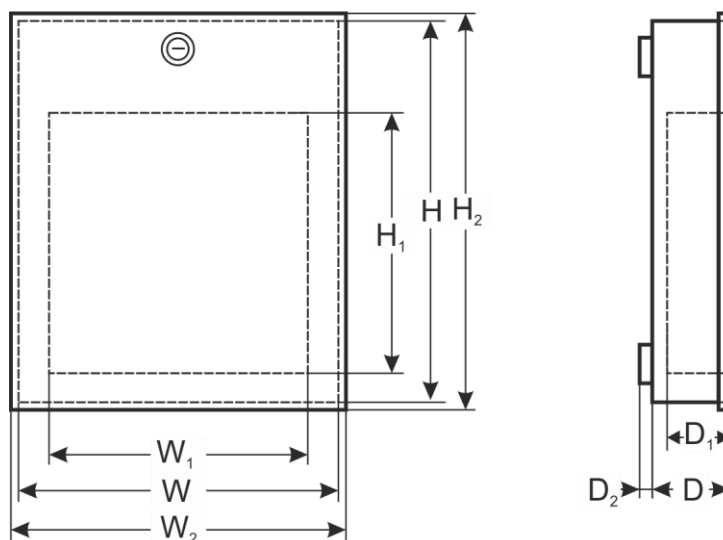
Due to vertical installation and low depth, it is ideal for places where deeper enclosures or cabinets type RACK 19" cannot be installed. After opening enclosure, front cover is held in a horizontal position, providing easy access to buttons on front panel of DVR. Enclosure has a special holder with retaining straps that allows for installation of recorders of following dimensions: width up to 260 mm, height: up to 55 mm, depth up to 250 mm.

**2. Technical parameters**

<b>TECHNICAL PARAMETERS</b>	
Dimensions:	<b>W=319, H=429, D + D<sub>2</sub>=81+14 [mm, +/-2]</b>
External dimensions of front panel:	<b>W<sub>2</sub>=325, H<sub>2</sub>=435 [mm, +/-2]</b>
Dimensions of recorder compartment:	<b>W<sub>1</sub>=260, H<sub>1</sub>=250, D<sub>1</sub>=55 [mm, +/-2]</b>
Net/Gross weight:	<b>4,98 / 5,21 [kg]</b>
Operation conditions:	<b>Temperature: -10°C ÷ +40°C relative humidity 20%...90%, without condensation</b>
Finish:	<b>AW0528S - DC01 sheet, thickness: 1,2mm, color: RAL 9005 (black matt) - corrosion protection</b> <b>AW0528WS - DC01 sheet, thickness: 1,2mm, color: RAL 9003 (white) - corrosion protection</b>
Tamper switch protection:	<b>1 x microswitch: enclosure opening 0,5 A; 50 V DC max. NC – normally closed contacts</b> <b>Optionally: 1 x microswitch: detachment form wall, 0,5A; 50 V DC (required PKAZ067)</b>
Locking:	<b>Lock MR008 (different code) x 1 pcs.</b>
Application:	<b>Inside</b>
Warranty:	<b>2 years from production date</b>
Notes:	<b>Distance from wall (mounting surface) – 14 mm</b> <b>set includes one key (different code), two keys included</b>

### 3. Installation example:

---



**Pulsar sp. j.**

Siedlec 150, 32-744 Łapczyca, Poland  
Tel. (+48) 14-610-19-40, Fax. (+48) 14-610-19-50  
e-mail: [biuro@pulsar.pl](mailto:biuro@pulsar.pl), [sales@pulsar.pl](mailto:sales@pulsar.pl)  
http:// [www.pulsar.pl](http://www.pulsar.pl), [www.zasilacze.pl](http://www.zasilacze.pl)